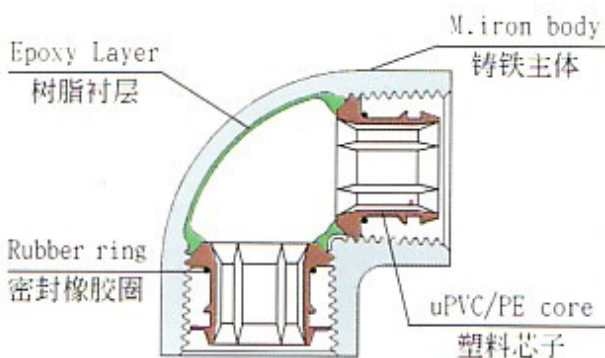
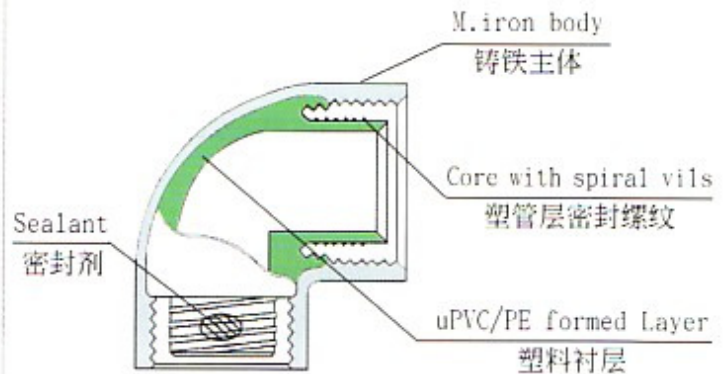




Type I
第一种管件 (喷涂)



Type II
第二种管件 (注塑)



Lined galvanized steel pipe
衬塑镀锌钢管



1. High corrosion resistance

The inner lining is a unplasticized polyvinyl chloride/PE pipe which offers high corrosion resistance and high impact strength,It can resist many chemicals.

2. Smooth inner surface

The inner surface of the uPVC coating is extremely smooth which ensures low friction resistance during the flow of liquid.

3. No pinhole and no disbonding

The uPVC pipe is lined inside the steel pipe using the extrusion moulding method which guarantee uniformity in thickness and quality,and also no disbonding and cracking will occur.

4. Easy installation

The standardized dimensions and connecting ends of the pipes and fittings facilities all of installation work.

1. 高度防腐蚀能力

内层喉管所采用的优质塑管 (uPVC 聚氯乙烯) (PE 聚乙烯), 具有高度防腐蚀能力及承受撞击能力, 亦能抵受一般的酸碱化学物品。

2. 喉管内壁平滑

衬管内壁极度平滑, 使液体流经管道所产生的磨擦力大为降低。

3. 绝无针孔及裂缝

内层塑管品质优良, 厚度均匀, 绝不产生针孔及出现裂缝等问题。

4. 安装容易

本衬塑镀锌钢管与配件的尺寸配合适当, 装配容易。



USAGE OF CHEUNG KAY uPVC/PE LINED GALVANIZED STEEL PIPE AND FITTINGS

祥基衬塑镀锌钢管及其管件用途

Cheung kay uPVC/PE Lined Galvanized Steel pipe and fitting composed of good quality steel pipe and highly corrosion resistance uPVC/PE pipe. It is a product suitable for every kind of housing, industry and construction work, and particularly ideal for drinking water supplying system.

本产品主要用于输送饮用水系统，外层钢管像传统的管道一样，可承受各种外力和所适应的环境，而内衬塑层却具有特别优良的防腐能力。本产品亦适合输送纯净水和各种饮料。



STANDARD OF CHUNG KAY uPVC/PE LINED GALVANIZED STEEL PIPE AND FITTING

祥基衬塑镀锌钢管及管件所用标准

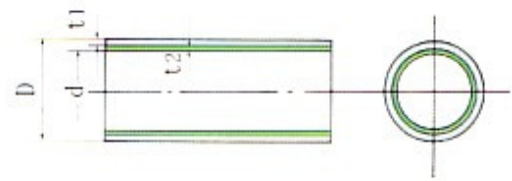
Confosming

符合

英国标准 BS1387, BS1256, BS143, BS21, BS6920

中国标准 GB3091, GB3287, GB5749, GB3289, GB9644

企业标准 Q(CHJ)CK001

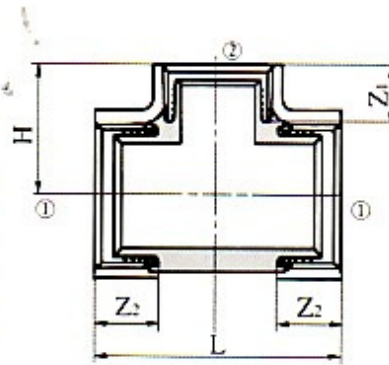


Unit 单位: mm

Standard 采用标准	Standard of BS1387(M)/GB3091 镀锌焊接钢管 BS1387/GB3091(中级)				uPVC/PE Lined galvanized steel pipe 内衬 uPVC/PE 镀锌焊接钢管		
	Nominal diameter 公称通径 inch/mm	Outside diameter 外径 (D)	Steel pipe wall thickness 钢管壁厚 (t1)	upvc(PE)pipe wall thickness 塑管壁厚 (t2)	Approximate inside diameter 参考内径 (d)	Thickness 总壁厚 (t1+t2)	Reference Weight 参考重量 kg/m
英标 BS	1/2	21.7	2.60	1.5 ± 0.2	12.5~12.9	4.10	1.31
国标 GB	15	21.8	3.08			4.58	1.34
英标 BS	3/4	27.2	2.60	1.5 ± 0.2	18.0~18.4	4.10	1.70
国标 GB	20	27.3	3.08			4.58	1.77
英标 BS	1	34.2	3.20	1.5 ± 0.2	23.5~24.0	4.70	2.59
国标 GB	25	34.0	3.64			5.14	2.60
英标 BS	1 1/4	42.9	3.20	1.5 ± 0.2	32.5~33.0	4.70	3.34
国标 GB	32	42.8	3.64			5.14	3.37
英标 BS	1 1/2	48.8	3.20	1.5 ± 0.2	38.0~38.3	4.70	3.81
国标 GB	40	48.5	3.92			5.42	4.11
英标 BS	2	60.8	3.60	1.5 ± 0.2	49.0~49.4	5.10	5.38
国标 GB	50	60.6	3.92			5.42	5.23
英标 BS	2 1/2	76.6	3.60	1.5 ± 0.2	64.5~65.1	5.10	6.88
国标 GB	65	76.3	4.20			5.70	7.00
英标 BS	3	89.5	4.00	2.0 ± 0.2	75.4~76.1	5.60	9.14
国标 GB	80	89.4	4.48			6.48	9.11
英标 BS	4	114.9	4.50	2.0 ± 0.2	100.0~101.0	6.50	13.13
国标 GB	100	115.1	4.48			6.48	11.83
英标 BS	6	166.1	5.00	2.5 ± 0.2	148.2~149.1	7.50	21.42
国标 GB	150	166.7	5.04			7.54	19.53
国标 GB	200	219.0	6.00	3.5 ± 0.2	199.0~201.0	9.50	32.45

REDUCING TEE (RT)

变径三通

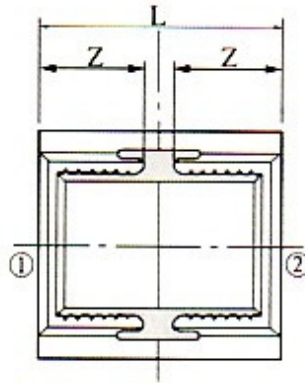


单位: mm

Nominal diameter 公称通径	H	L	Z1	Z2	Item NO. 货号
20X15	30	58	16.4	18.2	RTII 2015
25X15	33	64	16.4	19.2	RTII 2515
25X20	35	68	18.2	19.2	RTII 2520
32X20	40	76	18.2	21.6	RTII 3220
32X25	42	80	19.2	21.6	RTII 3225
40X32	48	90	21.6	22.8	RTII 4032
50X32	54	96	21.6	25.9	RTII 5032
50X40	55	104	22.8	25.9	RTII 5040
65X40	62	110	22.8	28.1	RTII 6540
65X50	62	120	25.9	28.1	RTII 6550
80X50	72	124	25.9	31.2	RTII 8050
80X65	75	144	28.1	31.2	RTII 8065
100X80	91	166	21.3	37.3	RTII 10080

SOCKET (S)

外接头

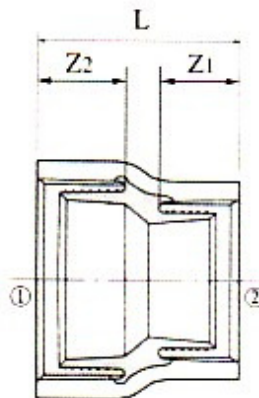


单位: mm

Nominal diameter 公称通径	L	Z	Item NO. 货号
15	35	16.4	S II 015
20	40	18.2	S II 020
25	45	19.5	S II 025
32	50	21.6	S II 032
40	55	22.8	S II 040
50	60	25.9	S II 050
65	70	28.1	S II 065
80	75	31.2	S II 080
100	85	37.3	S II 100
150	105	42.8	S II 150

REDUCING SOCKET (RS)

变径外接头

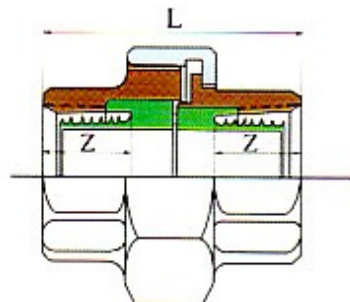


单位: mm

Nominal diameter 公称通径	L	Z1	Z2	Item NO. 货号
20X15	38	16.4	18.2	RSII 2015
25X15	42	16.4	19.5	RSII 2515
25X20	42	18.2	19.5	RSII 2520
32X20	48	18.2	21.6	RSII 3220
32X25	48	19.5	21.6	RSII 3225
40X32	52	21.6	22.8	RSII 4032
50X32	58	21.6	25.9	RSII 5032
50X40	58	22.8	25.9	RSII 5040
65X40	65	22.8	28.1	RSII 6540
65X50	65	25.9	28.1	RSII 6550
80X50	72	25.9	31.2	RSII 8050
100X80	85	31.2	37.3	RSII 10080

UNION (U)

活接头

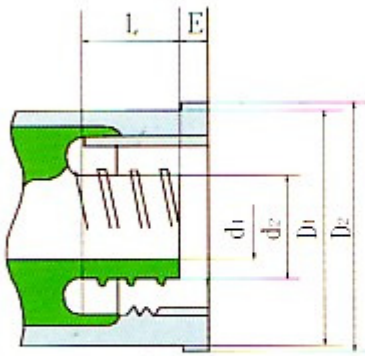


单位: mm

Nominal diameter 公称通径	L	Z	Item NO. 货号
15	48	16.4	U II 015
20	53	18.2	U II 020
25	60	19.5	U II 025
32	65	21.6	U II 032
40	69	22.8	U II 040
50	78	25.9	U II 050
65	86	28.1	U II 065
80	95	31.2	U II 080
100	116	37.3	U II 100
150	146	42.8	U II 150

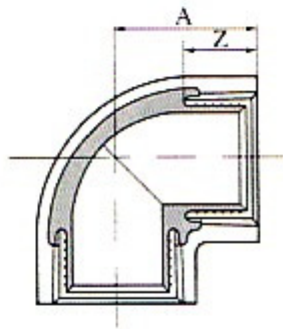
Type II
第二种管件 (注塑)

单位: mm



Nominal diameter 公称通径	d ₁	d ₂	D ₁	D ₂	L(最小)	E(最小)
15	10.2	12.0	28	29.5	11.0	3.5
20	15.2	17.4	34	36.5	12.7	3.5
25	21.0	23.4	41	44.0	13.3	4.0
32	29.0	32.0	51	53.0	14.3	5.0
40	34.2	37.1	57	60.0	14.8	5.5
50	45.2	48.6	70	73.0	16.3	6.5
65	59.7	63.1	85	89.0	17.5	7.0
80	70.9	74.5	99	105.0	19.3	7.5
100	95.2	99.2	126	132.0	23.6	8.0
150	142.0	146.0	178	186.0	25.4	10.0

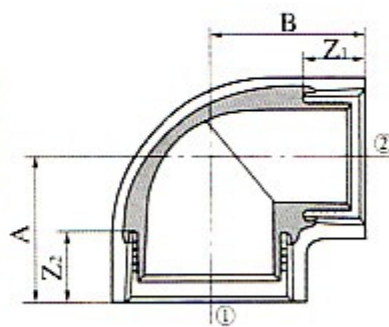
ELBOW (E)
弯头



单位: mm

Nominal diameter 公称通径	L	Z	Item NO. 货号
15	27	16.4	EII 015
20	32	18.2	EII 020
25	38	19.5	EII 025
32	46	21.6	EII 032
40	48	22.8	EII 040
50	57	25.9	EII 050
65	69	28.1	EII 065
80	78	31.2	EII 080
100	97	37.3	EII 100
150	132	42.8	EII 150

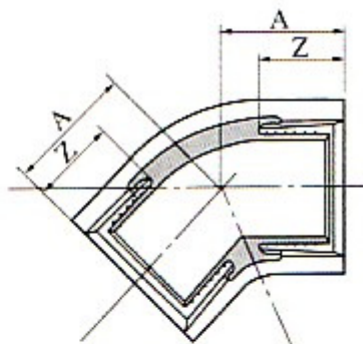
REDUCING ELBOW (RE)
变径弯头



单位: mm

Nominal diameter 公称通径	A	B	Z ₁	Z ₂	Item NO. 货号
20X15	29	30	16.4	18.2	REII 2015
25X20	34	35	18.2	19.5	REII 2520
32X20	38	40	18.2	21.6	REII 3220
32X25	40	42	19.5	21.6	REII 3225
40X25	41	45	19.5	22.8	REII 4025
40X32	45	48	21.6	22.8	REII 4032
50X40	52	55	22.8	25.9	REII 5040
65X40	55	62	22.8	28.1	REII 6540
65X50	60	65	25.9	28.1	REII 6550
80X65	72	75	28.1	31.2	REII 8065
100X65	78	90	28.1	37.3	REII 10065
100X80	83	91	31.2	37.3	REII 10080

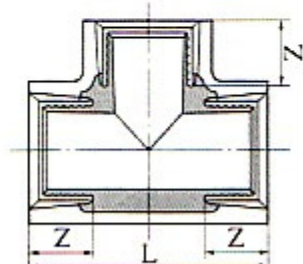
45° ELBOW (45° E)
45° 弯头



单位: mm

Nominal diameter 公称通径	A	Z	Item NO. 货号
15	21	16.4	45EII 015
20	25	18.2	45EII 020
25	29	19.5	45EII 025
32	34	21.6	45EII 032
40	37	22.8	45EII 040
50	42	25.9	45EII 050
65	49	28.1	45EII 065
80	54	31.2	45EII 080
100	65	37.3	45EII 100
150	82	42.8	45EII 150

TEE (T)
三通



单位: mm

Nominal diameter 公称通径	L	Z	Item NO. 货号
15	54	16.4	TII 015
20	64	18.2	TII 020
25	76	19.5	TII 025
32	92	21.6	TII 032
40	96	22.8	TII 040
50	114	25.9	TII 050
65	138	28.1	TII 065
80	156	31.2	TII 080
100	194	37.3	TII 100
150	264	42.8	TII 150