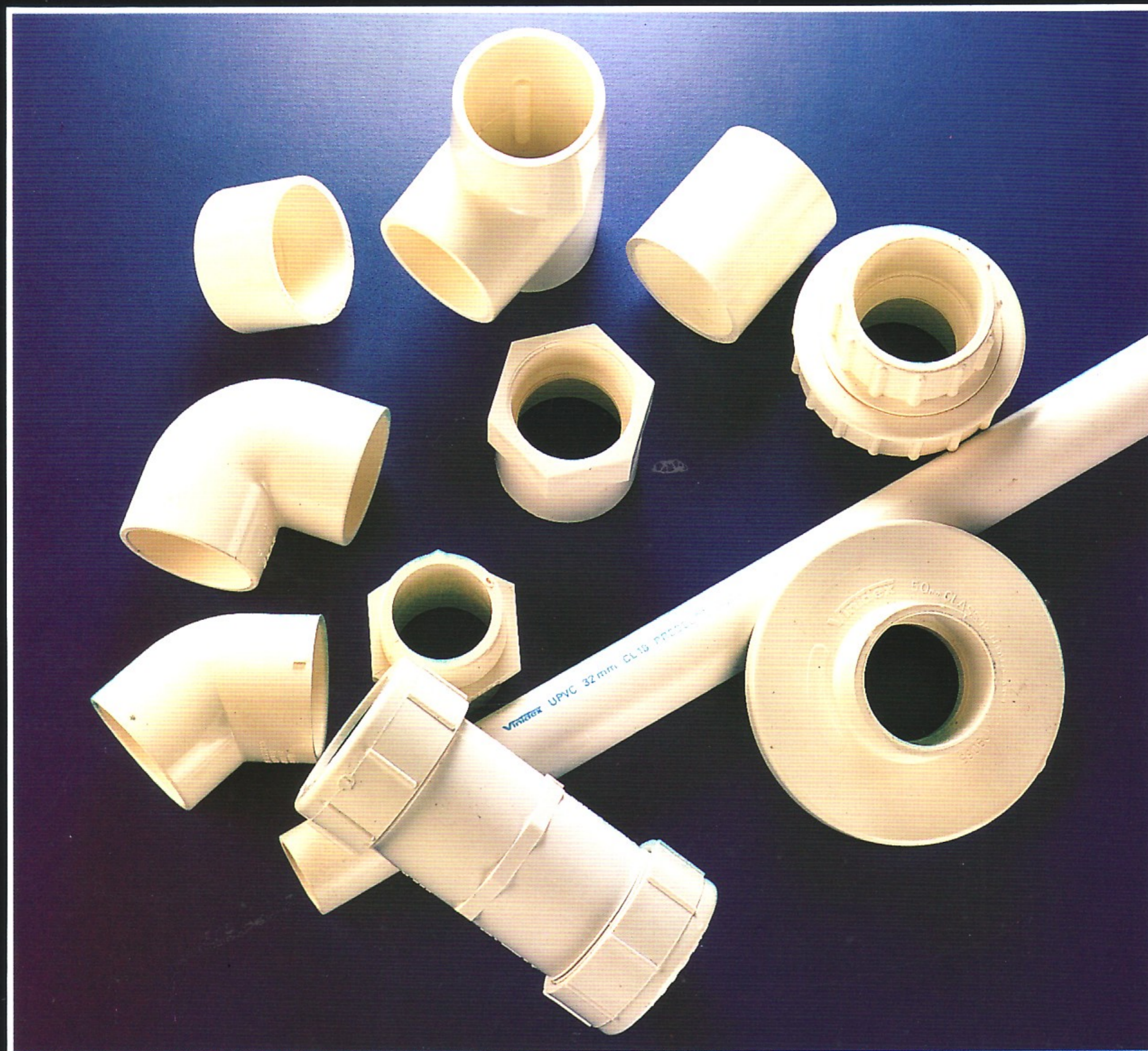

VINIDEX uPVC PRESSURE SYSTEM

PRODUCT CATALOGUE

2002



Introduction

Vinidex pressure pipe and fittings are manufactured from high quality PVC polymer. Vinidex specifications exceed the requirements of various national and state specifying authorities and the Standards Association of Australia.

Vinidex pressure pipe and fittings combine the unique physical properties of PVC polymer with the most advanced manufacturing techniques and will continue to meet the exacting demands of the water supply industry in Australia and a growing number of overseas countries, well into the 21st century.

Benefits

Vinidex uPVC pressure pipes and fittings offers major improvements in water quality due to its smooth, non-porous, non-corroding surface:

- Reduced virus and bacteria growth
- No odour
- No taste
- No rust
- No pH rise

Vinidex uPVC pressure pipes and fittings provide major cost benefits to users:

- Lighter and cheaper to transport
- Ease and speed of installation reduces total installed costs
- Lower maintenance costs

Standards

Vinidex pressure pipes and fittings are designed and tested to meet the requirement of the Australian and British Standards. The applicable standards are:-

AS/NZS 1477 : 1996	PVC pipes and fittings for pressure applications
BS 3505 : 1969	Specification for uPVC pressure pipes for cold potable water
BS 4346 : Part 1 : 1969	Injection moulded uPVC fittings for solvent welding for use with pressure pipes, including potable water supply.
BS 6920 : 1984	Suitability of non-metallic products for use in contact with water intended for human consumption with regard to their effect on the quality of water.

Most fittings in the Vinidex solvent cement pressure fittings range are manufactured to AS/NZS 1477 and are for use with rigid PVC pressure pipe manufactured to this standard. Some sizes of fittings in our range however, are imported and are made to other international standards. Please contact your local sales representative for further information.

Threads

All watertight threads used in Vinidex uPVC pressure system are complied with BS 21:1973.

Installation

It is essential that the Vinidex uPVC pressure system is installed in accordance with the manufacturer's instructions, which are given in this product catalogue.

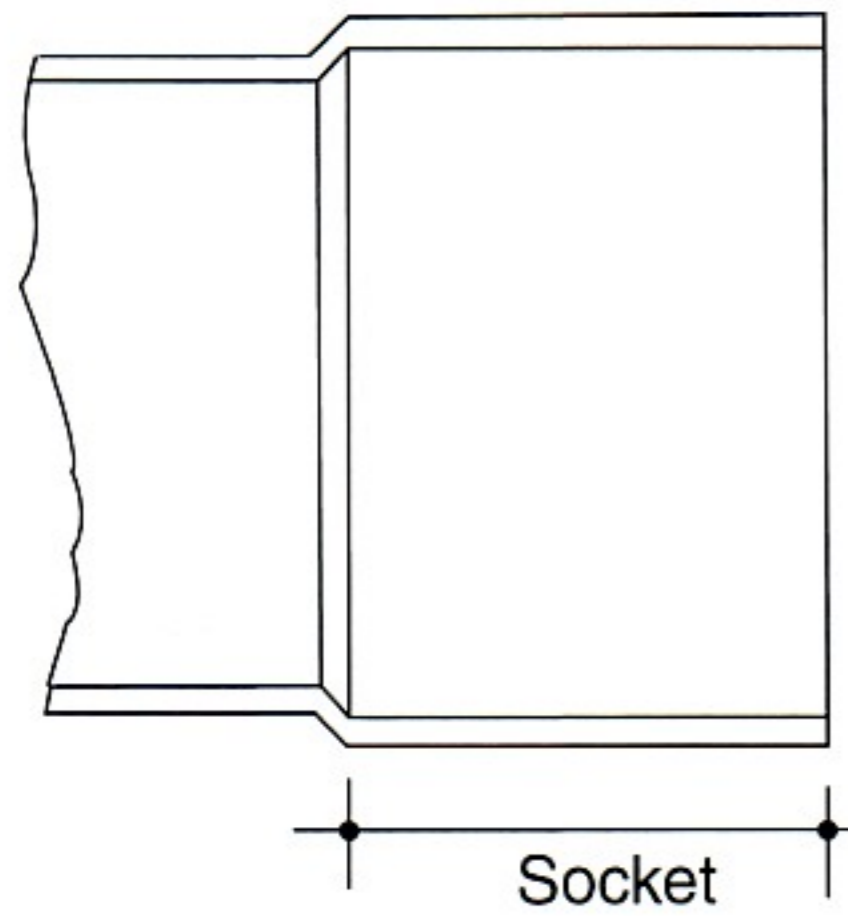
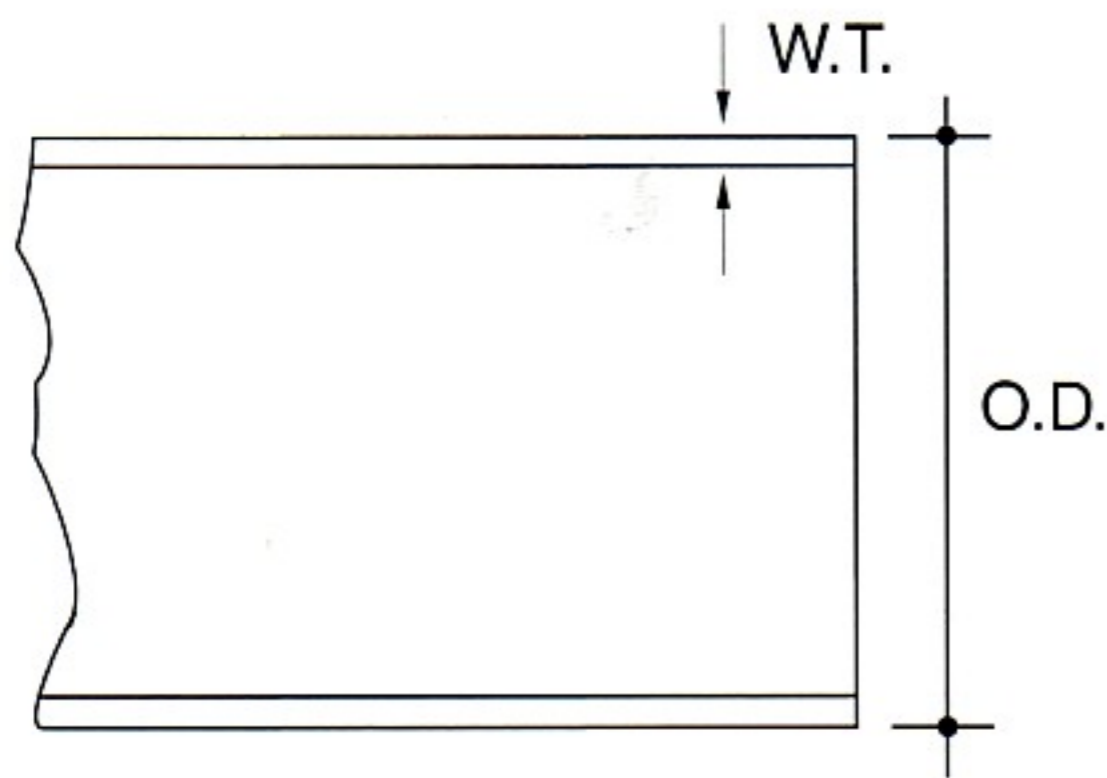
Dimensions

All dimensions are in millimetres unless otherwise stated.



**Quality
Endorsed
Company**
AS 3902
Standards Australia

Pipe Dimensions



A wide range of standard uPVC pressure pipes are manufactured by Vinidex to suit the variety of applications. Full details of dimensions of all sizes, PN rating and pipe lengths are given in the following tables.

CODE	Size (DN)		PN bar	Mean O.D.	Mean W.T.	Pipe Length	Socket Length
	mm	inch					
VPP18155.5	15	½"	18	21.35	3.00	5.5m	-
VPP18205.5	20	¾"	18	26.75	3.00	5.5m	-
VPP18255.5	25	1"	18	33.55	3.30	5.5m	-
VPP18325.5	32	1¼"	18	42.25	3.45	5.5m	-
VPP18405.5	40	1½"	18	48.25	3.90	5.5m	-
VPP18505.5	50	2"	18	60.35	4.95	5.5m	-
VPP18655.5	65	2½"	18	75.35	6.10	5.5m	-
VPP18805.5	80	3"	18	88.90	7.15	5.5m	-
VPP181005.5	100	4"	18	114.30	9.15	5.5m	-
VPP121505.5	150	6"	12	160.25	8.80	5.5m	127
VPP181505.5	150	6"	18	160.25	12.80	5.5m	127
VPP092006.0	200	8"	9	225.30	8.40	6.0m	152
VPP122006.0	200	8"	12	225.30	11.10	6.0m	152
VPP092256.0	225	9"	9	250.00	9.35	6.0m	178
VPP122256.0	225	9"	12	250.00	12.30	6.0m	178
VPP092506.0	250	10"	9	284.40	10.50	6.0m	203
VPP122506.0	250	10"	12	284.40	13.75	6.0m	203

Pipe Ends

Size DN15 to DN100 are plain end ;
 Sizes DN150 and larger are with one end socketed (belled) for solvent cement joints.

Diameters

Diameters of PVC pipes are referenced by their 'Nominal Size' or simply 'Size' (symbol DN, in accordance with international practice.).

Joints

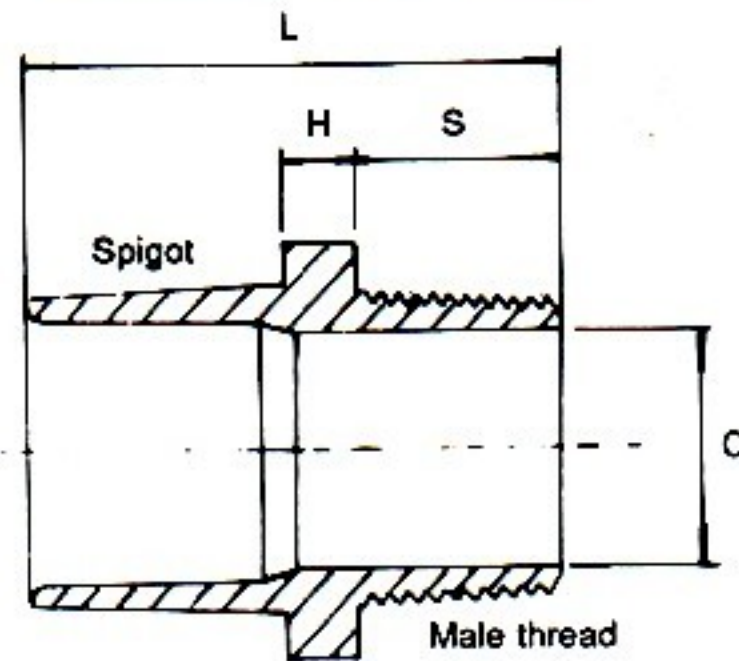
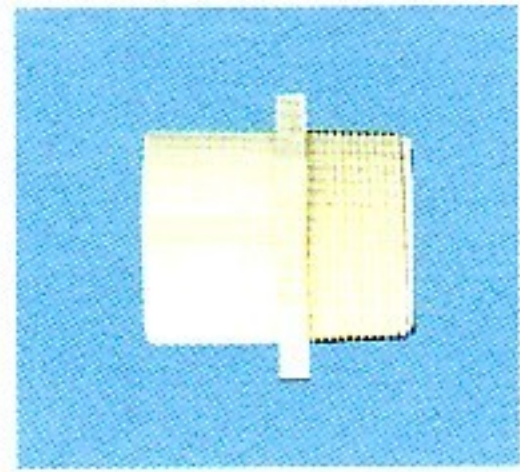
Vinidex pressure pipes employ two jointing systems:

1. Solvent Cement Joint
 A chemically 'welded' joint with capability of supporting axial thrust. Available in sizes to DN300 but especially suited to smaller diameter above ground systems.
2. Rubber Ring Joint : POLYDEX®
 A rubber ring joint system providing a flexible joint with capability of axial and angular movement. Simple, error-free installation makes this joint suited to larger diameter underground work. Sizes DN50 and larger.
 Consult your Vinidex office for details.



PRODUCT DATA

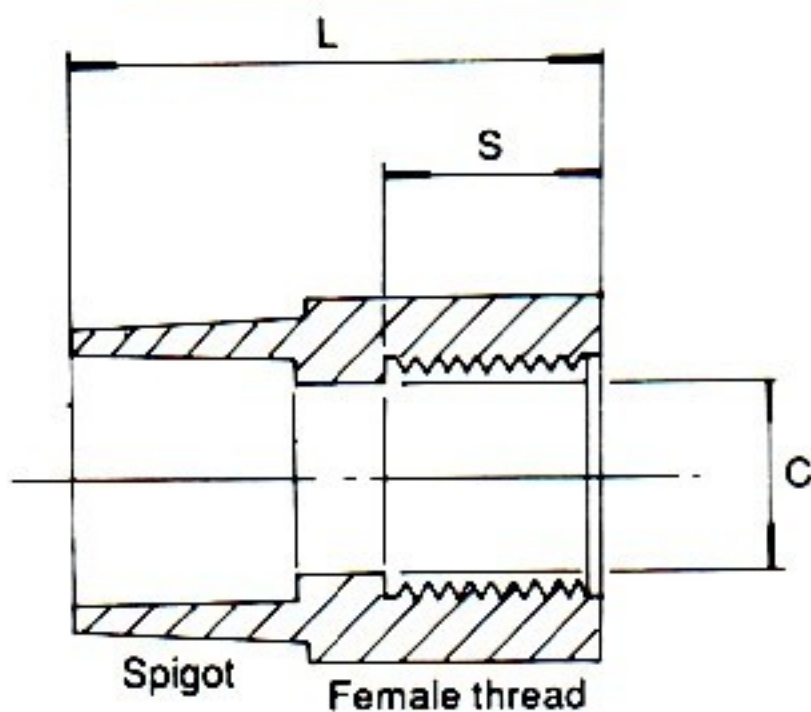
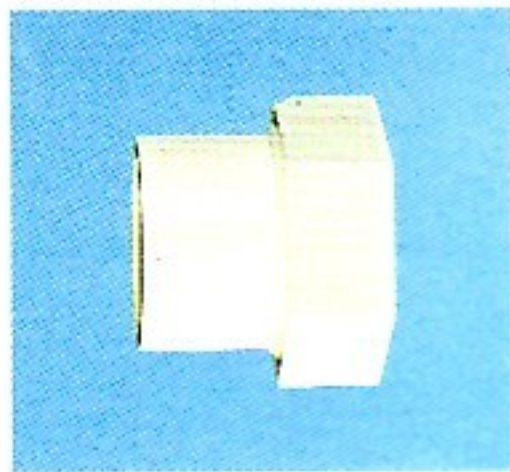
Cat 02 Valve Take Off Adaptors



The spigot end of this fittings is solvent cement jointed to the socket of another fittings. The tapered male threaded end provides a connection for PVC, brass or galvanised wrought iron threaded valve-type fittings.

CODE	SIZE	PN	C	S	H	L	Ctn Qty
VPF0215	15 x 15	18	14.6	18.0	7.0	43.0	300
VPF0220	20 x 20	18	19.2	19.6	7.0	46.6	300
VPF0225	25 x 25	18	24.4	22.2	7.8	53.0	260
VPF0232	32 x 32	18	31.7	24.5	8.0	60.0	100
VPF0240	40 x 40	18	36.9	24.4	9.0	64.0	100
VPF0250	50 x 50	18	46.6	29.0	8.6	74.2	100
VPF0280	80 x 80	18	70.0	33.5	19.5	164.0	12
VPF02100	100 x 100	18	90.0	40.0	20.0	184.0	7

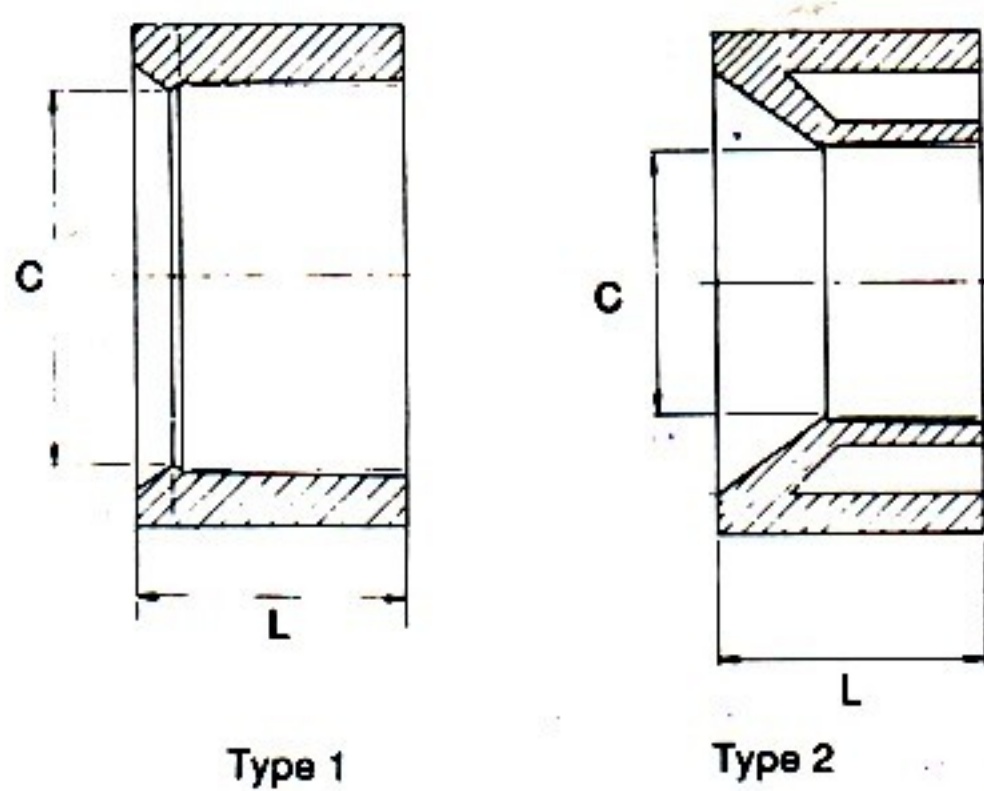
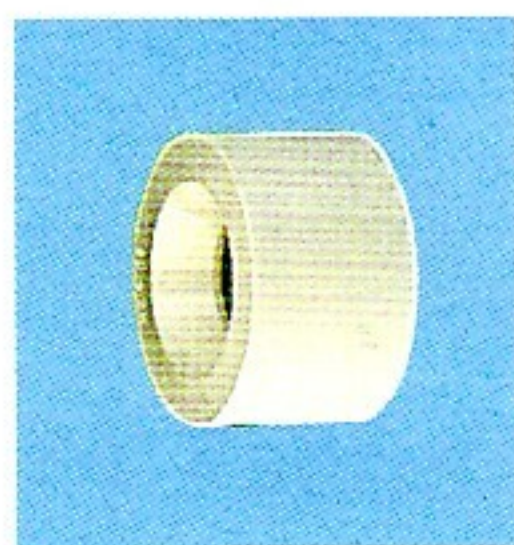
Cat 03 Faucet Take Off Adaptors



The spigot end of this fittings is solvent cement jointed to the socket of another fittings. The female threaded end provides a connection for male BSP threads such as spray nozzles.

CODE	SIZE	PN	C	S	L	Ctn Qty
VPF0315	15 x 15	18	16.5	16.0	41.7	260
VPF0320	20 x 20	18	21.7	18.5	45.0	300
VPF0325	25 x 25	18	27.8	21.4	51.4	200
VPF0332	32 x 32	18	35.0	25.0	57.7	100
VPF0340	40 x 40	18	39.4	28.0	64.1	100
VPF0350	50 x 50	18	49.5	27.5	68.5	100
VPF0380	80 x 80	18	79.3	35.0	163.0	12
VPF03100	100 x 100	18	101.5	41.5	188.0	7

Cat 05 Reducing Bushes

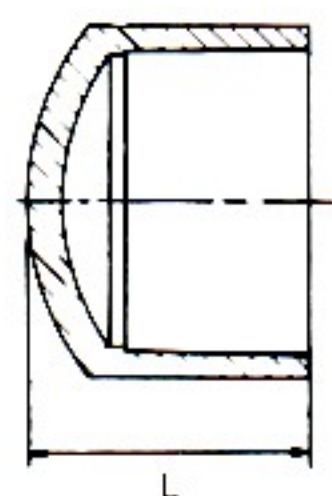
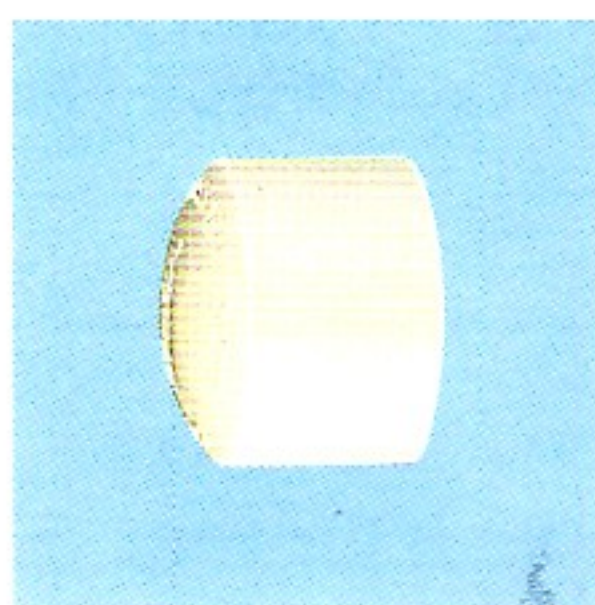


This fitting is used for solvent cement jointing into the socket of a fitting to give a reduction in bore.

CODE	SIZE	PN	C	S	TYPE	Ctn Qty
VPF052015	20 x 15	18	17.0	21.6	1	300
VPF052515	25 X 15	18	16.0	24.5	1	300
VPF052520	25 X 20	18	22.0	24.8	1	300
VPF053225	32 X 25	18	27.0	27.7	1	100
VPF054025	40 X 25	18	30.9	31.5	1	100
VPF054032	40 X 32	18	34.6	31.5	1	100
VPF055025	50 X 25	18	27.0	36.9	2	70
VPF055040	50 X 40	18	41.5	37.0	1	140
VPF056550	65 X 50	12	53.9	44.5	1	50
VPF058050	80 X 50	18	56.7	51.0	2	50
VPF0510050	100 X 50	18	56.5	61.0	2	25
VPF0510080	100 X 80	18	85.6	61.5	1	25
VPF05150100	150 X 100	18	106.7	90.0	1	12

PRODUCT DATA

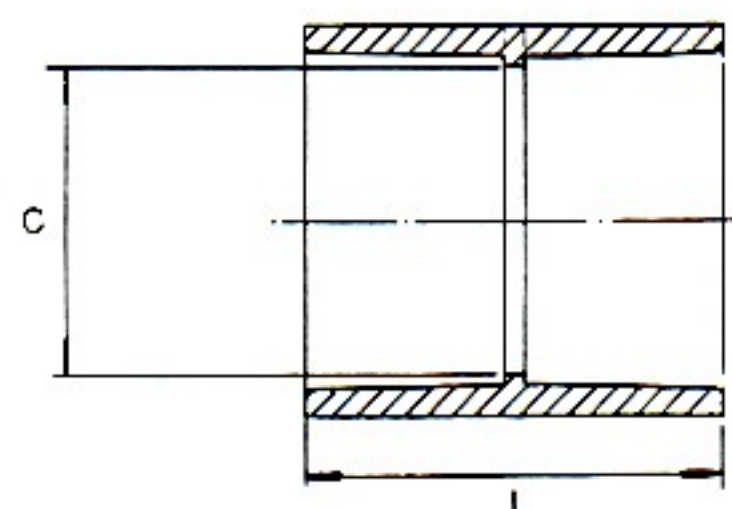
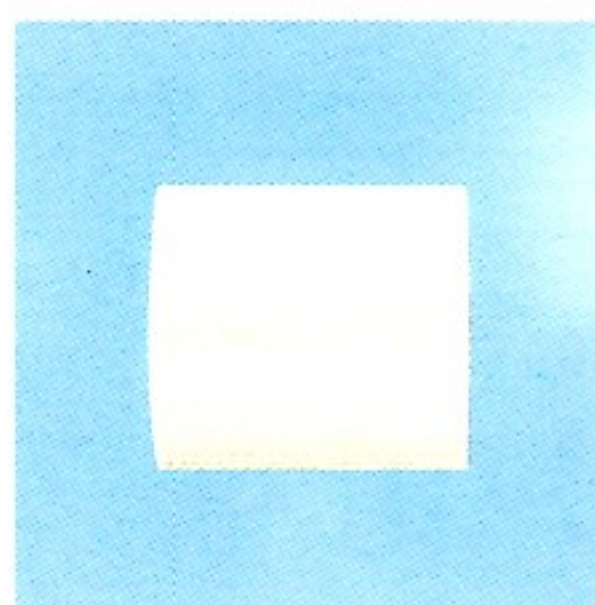
Cat 06 Caps



Caps are solvent-cemented to the end of a pipe or fitting spigot to provide line termination. They can also be used to temporarily prevent the entry of dirt and foreign matter into a pipeline.

CODE	SIZE	PN	L	Ctn Qty
VPF0615	15	18	25.8	300
VPF0620	20	18	29.7	300
VPF0625	25	18	34.3	200
VPF0632	32	18	50.0	80
VPF0640	40	18	46.6	120
VPF0650	50	18	56.0	80
VPF0665	65	12	73.0	45
VPF0680	80	18	76.5	50
VPF06100	100	18	94.5	15
VPF06150	150	12	137.0	6

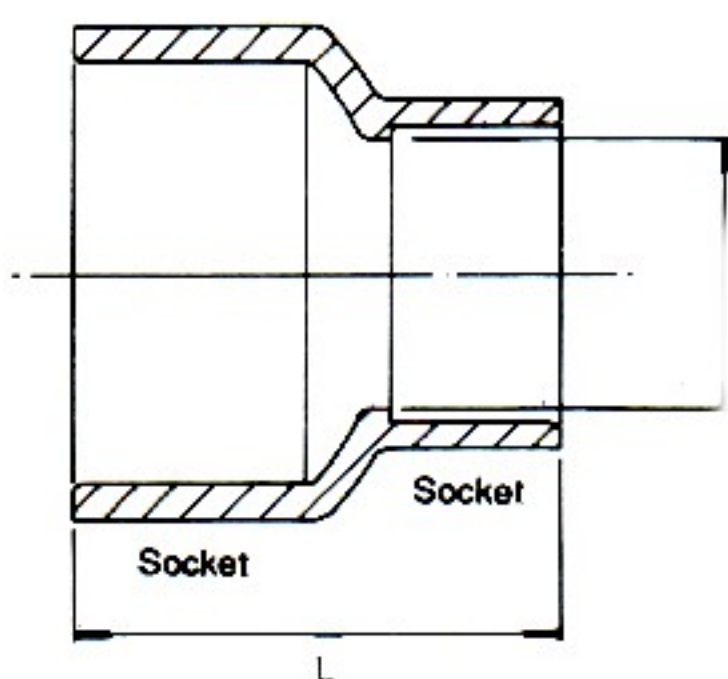
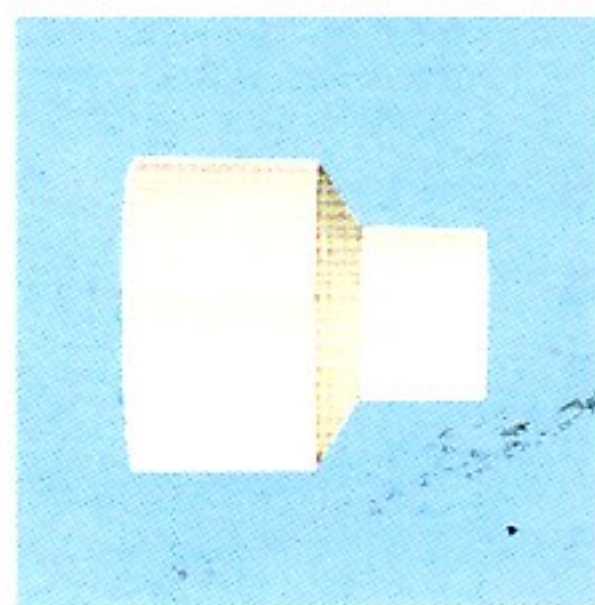
Cat 07 Couplings



Couplings are used for the solvent cement jointing of two lengths of PVC pipe.

CODE	SIZE	PN	C	L	Ctn Qty
VPF0715	15	18	18.3	39.0	300
VPF0720	20	18	24.0	43.6	400
VPF0725	25	18	30.5	49.0	260
VPF0732	32	18	39.0	57.5	168
VPF0740	40	18	45.5	65.0	100
VPF0750	50	18	57.0	77.3	100
VPF0765	65	12	66.0	110.5	50
VPF0780	80	18	85.7	104.5	39
VPF07100	100	18	110.5	125.5	18
VPF07150	150	18	149.5	190.4	4

Cat 08 Reducing Couplings

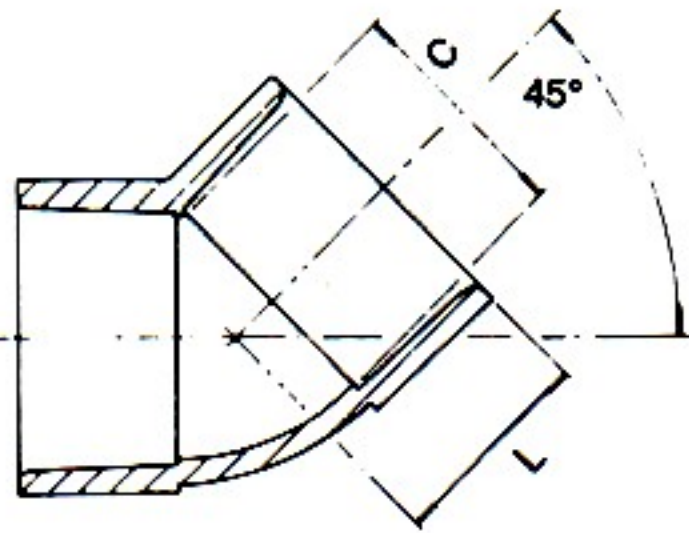
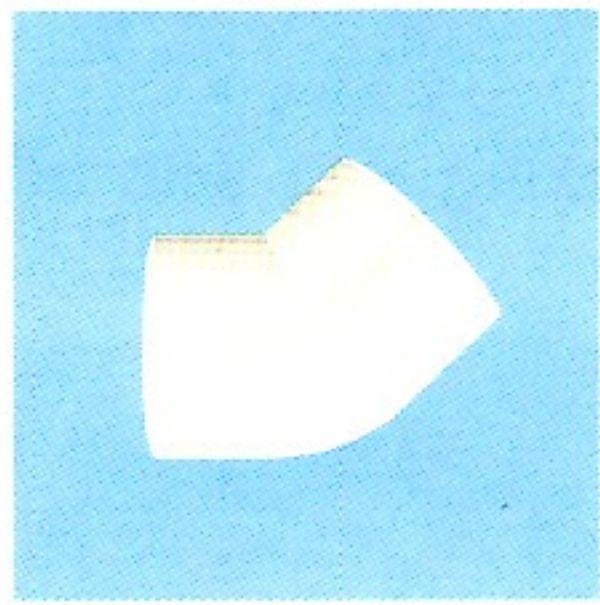


Reducing couplings are used for the solvent cement jointing of two different sizes of PVC pipe.

CODE	SIZE	PN	C	L	Ctn Qty
VPF082015	20 x 15	18	16.4	45.7	450
VPF082515	25 x 15	18	18.5	52.5	120
VPF082520	25 x 20	18	21.0	51.5	280
VPF083220	32 x 20	18	23.1	63.4	160
VPF083225	32 x 25	18	31.5	66.4	100
VPF084015	40 x 15	18	16.0	58.5	290
VPF084020	40 x 20	18	23.0	63.5	120
VPF084025	40 x 25	18	27.0	60.5	120
VPF084032	40 x 32	18	37.1	71.5	80
VPF085020	50 x 20	18	21.5	67.0	80
VPF085025	50 x 25	18	27.0	73.0	80
VPF085032	50 x 32	18	37.0	82.9	80
VPF085040	50 x 40	18	41.5	74.6	120
VPF086550	65 x 50	12	51.0	105.0	30
VPF088040	80 x 40	18	42.0	74.5	30
VPF088050	80 x 50	18	57.5	100.0	30
VPF088065	80 x 65	12	67.5	120.0	26
VPF0810050	100 x 50	18	58.0	115.6	25
VPF0810080	100 x 80	18	87.0	124.0	25
VPF08150100	150 x 100	18	107.5	184.0	4

PRODUCT DATA

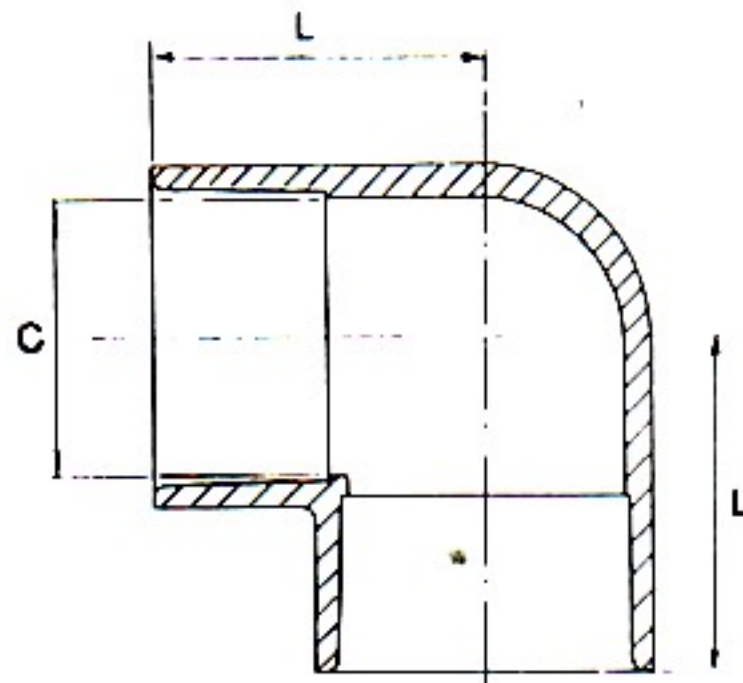
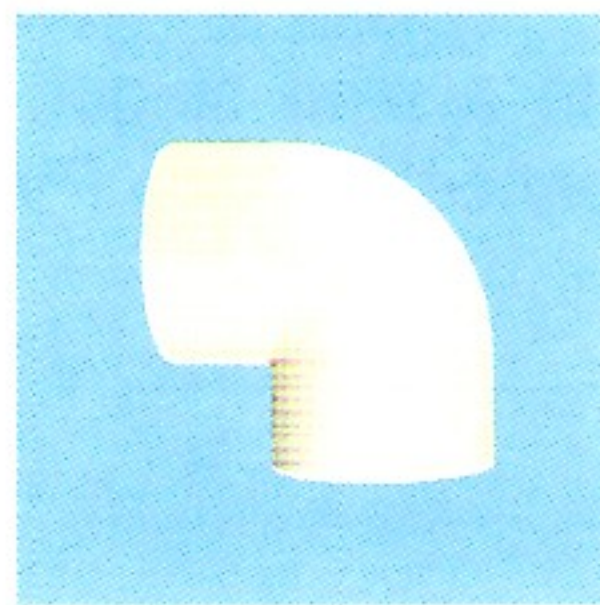
Cat 10 45° Elbows



Elbows are used to provide 45° changes in direction in pipelines. They are often employed in confined space situations in place of Cat 12, 45° bends.

CODE	SIZE	PN	C	L	Ctn Qty
VPF1015	15	18	17.8	33.0	140
VPF1020	20	18	25.0	27.0	400
VPF1025	25	18	32.0	29.0	220
VPF1032	32	18	38.9	45.5	80
VPF1040	40	18	46.5	40.5	140
VPF1050	50	18	58.5	50.0	60
VPF1065	65	12	68.5	68.5	35
VPF1080	80	18	78.2	82.5	22
VPF10100	100	18	102.5	96.0	10
VPF10150	150	12	156.5	124.0	4

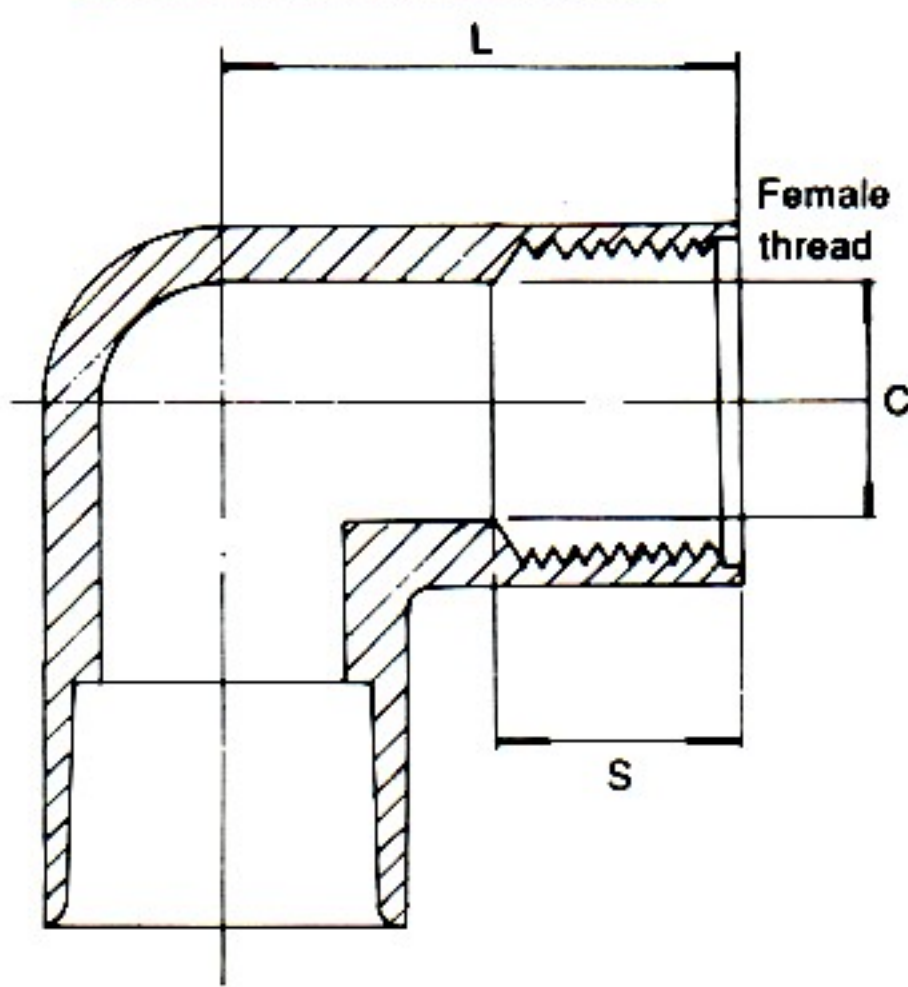
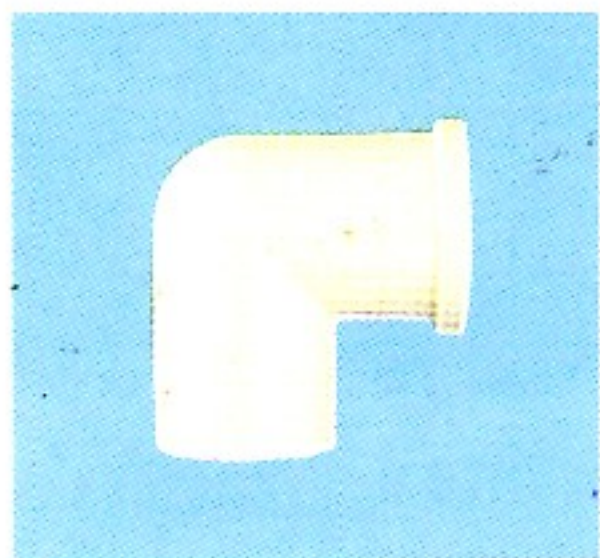
Cat 13 90° Elbows



These are moulded fittings, which are used to provide 90° bends in pipelines. They are often employed in confined space situations in preference to Cat 12, 90° bends.

CODE	SIZE	PN	C	L	Ctn Qty
VPF1315	15	18	15.5	43.3	480
VPF132015	20 x 15	18	15.4	42.8	100
VPF1320	20	18	25.0	33.0	280
VPF132515	25 x 15	18	15.2	46.3	120
VPF132520	25 x 20	18	20.5	46.3	120
VPF1325	25	18	32.0	39.5	150
VPF1332	32	18	40.0	52.0	80
VPF1340	40	18	46.5	54.0	48
VPF1350	50	18	58.5	67.0	60
VPF1365	65	12	67.5	92.0	30
VPF1380	80	18	86.5	95.0	22
VPF13100	100	18	102.2	136.0	8
VPF13150	150	12	143.0	181.0	3

Cat 15 90° Faucet Elbows

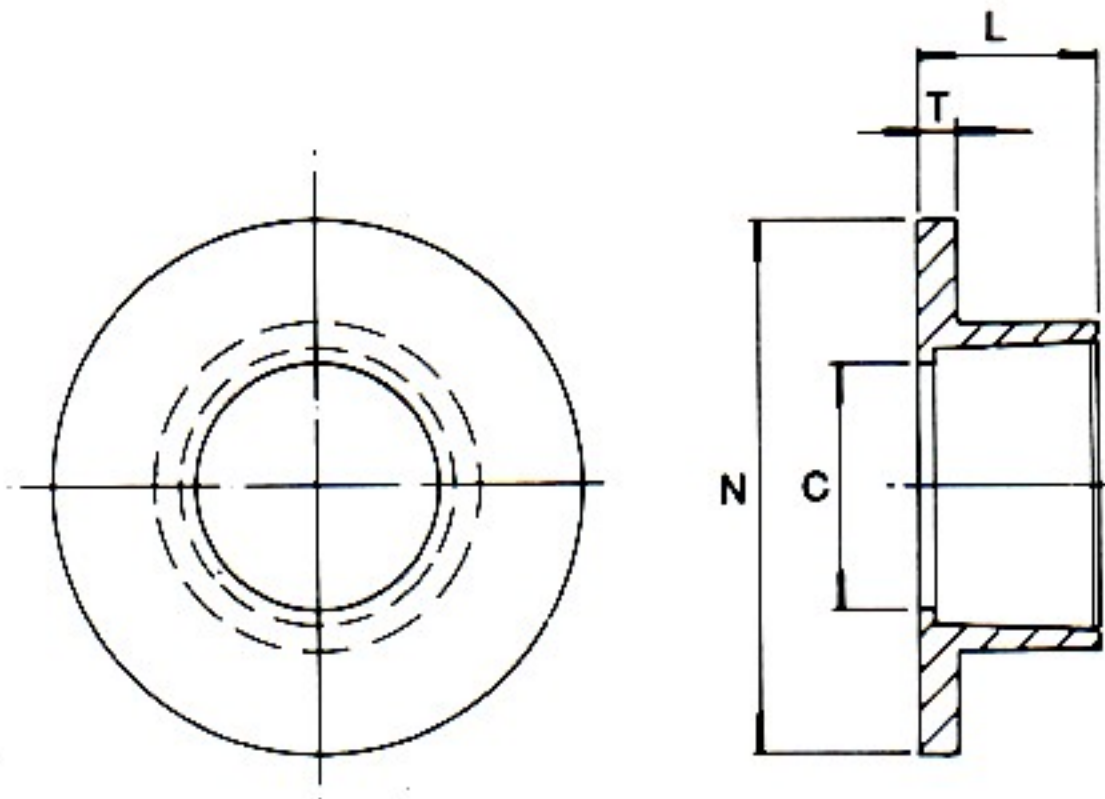
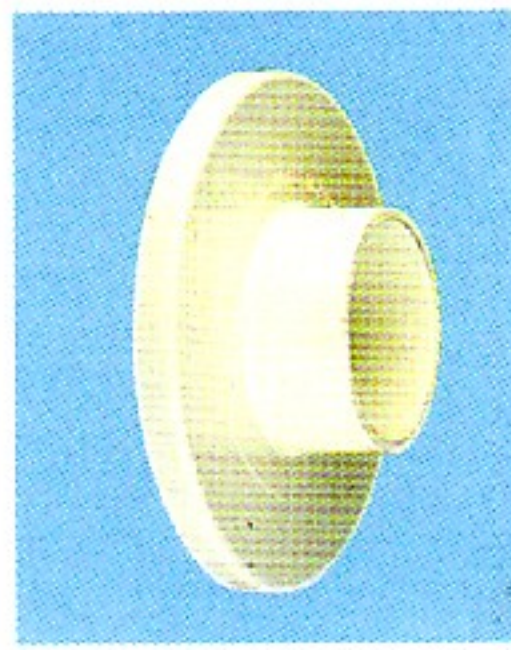


The faucet elbow is used to provide a female BSP connection. In irrigation it is used as a means of connecting a threaded riser pipe to an underground pipeline.

CODE	SIZE	PN	C	L	S	Ctn Qty
VPF1515	15 x 15	18	15.2	43.5	25.0	300
VPF152015	20 x 15	18	15.0	28.0	16.5	200
VPF1520	20 x 20	18	20.5	30.0	18.0	200
VPF152515	25 x 15	18	15.0	46.4	24.5	120
VPF152520	25 x 20	18	20.5	46.4	23.2	140
VPF1525	25 x 25	18	26.8	46.4	23.9	120

PRODUCT DATA

Cat 16 Flanges

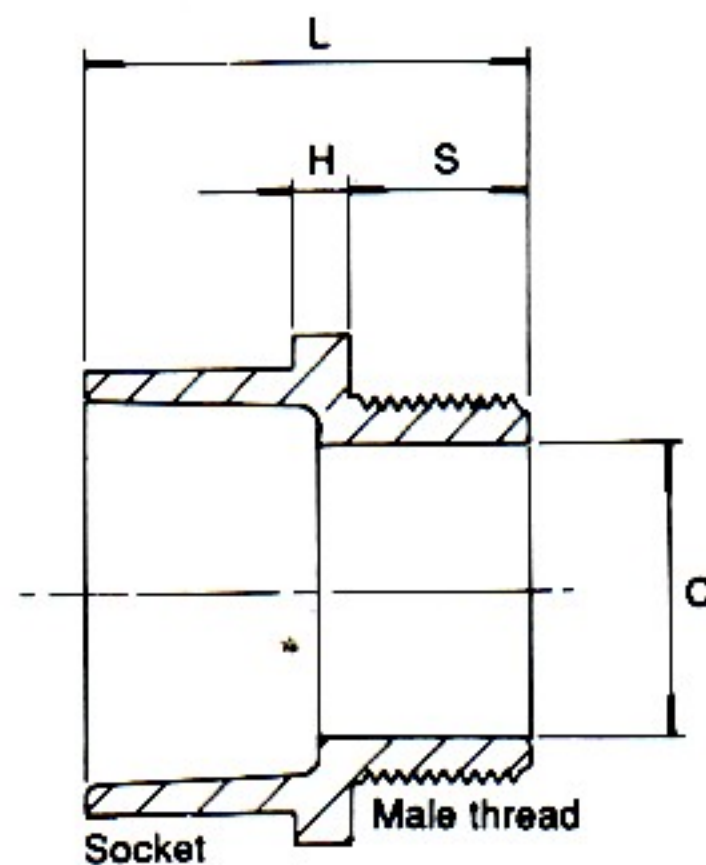
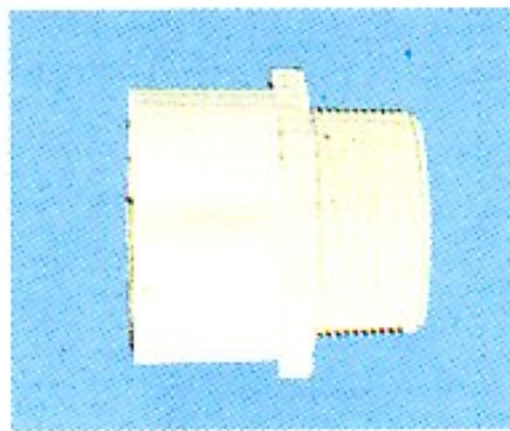


Flanges are used to bolt PVC pipes to pumps and valves etc. Flanged disconnectable fittings provide capability for maintenance and future changes to the pipeline.

Vinidex recommends the use of a metal backing ring with all flanges of 50mm nominal size and over.

CODE	SIZE	PN	C	L	N	T	Ctn Qty
VPF1615	15	18	18.0	27.9	95.8	13.5	100
VPF1620	20	18	22.0	30.0	102.2	13.5	90
VPF1625	25	18	29.0	33.0	115.0	13.5	60
VPF1632	32	18	35.4	33.0	121.2	13.5	50
VPF1640	40	18	41.5	42.0	132.0	13.5	40
VPF1650	50	18	54.5	45.5	152.8	13.5	50
VPF1665	65	12	66.5	67.0	169.5	14.0	35
VPF1680	80	18	80.0	57.5	183.2	13.5	30
VPF16100	100	18	100.0	68.0	215.8	16.3	16
VPF16150	150	12	146.0	105.0	279.0	21.0	6

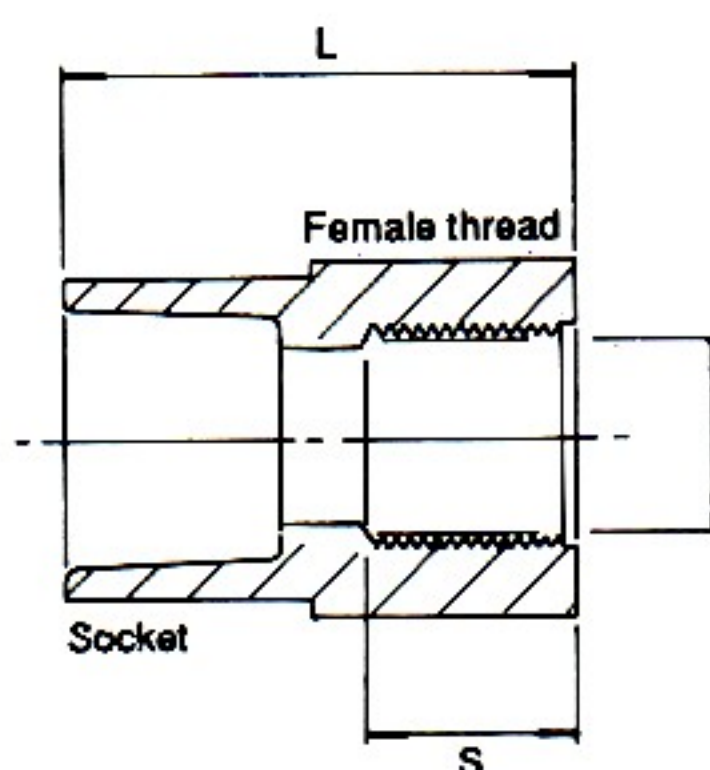
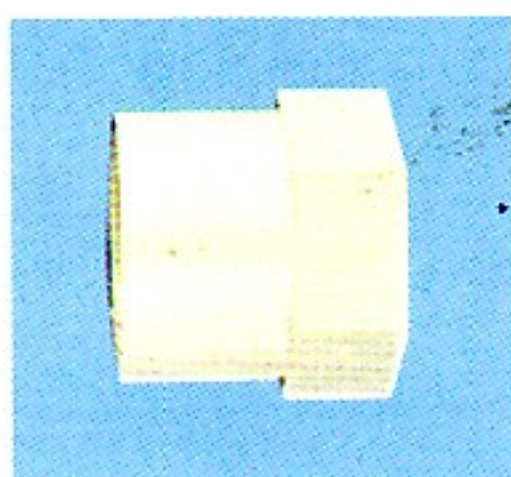
Cat 17 Valve Sockets



The valve socket is solvent cement jointed to a pipe spigot. The male-threaded end of the valve socket provides a connection for a PVC, brass or galvanised wrought iron threaded-type fitting.

CODE	SIZE	PN	C	H	L	S	Ctn Qty
VPF1715	15	18	14.5	6.6	43.0	18.0	300
VPF1720	20	18	19.0	6.8	46.7	19.6	400
VPF1725	25	18	24.2	8.0	53.0	22.1	240
VPF1732	32	18	31.5	8.0	60.5	24.7	100
VPF1740	40	18	37.0	8.9	64.0	24.5	100
VPF1750	50	18	46.3	8.6	74.5	29.0	120
VPF1765	65	12	62.5	9.5	92.0	28.5	30
VPF1780	80	18	70.0	19.7	94.5	34.5	25
VPF17100	100	18	90.0	20.0	112.5	41.0	12

Cat 18 Faucet Sockets

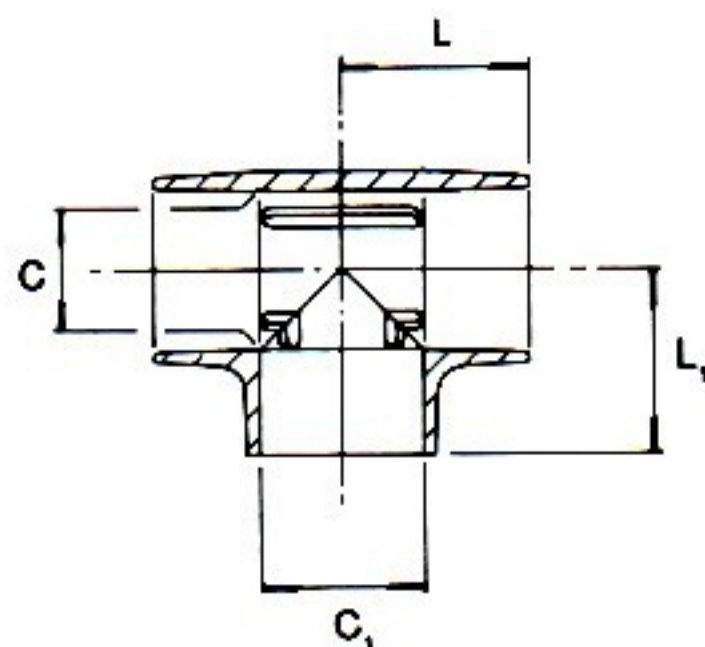
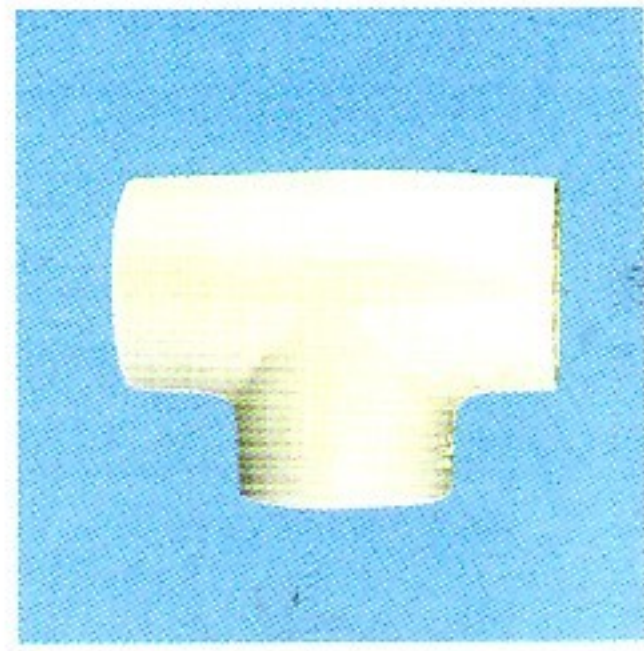


The faucet socket is solvent cement jointed to a pipe spigot. The female-threaded end of the faucet socket provides a connection for a faucet tap fitting or a spray nozzle.

CODE	SIZE	PN	C	L	S	Ctn Qty
VPF1815	15	18	17.5	47.0	14.5	200
VPF1820	20	18	22.0	50.2	18.5	300
VPF1825	25	18	28.2	56.2	21.5	180
VPF1832	32	18	34.3	62.6	25.0	100
VPF1840	40	18	39.2	69.0	27.0	80
VPF1850	50	18	49.3	72.3	26.5	90
VPF1880	80	18	83.5	95.0	35.0	20
VPF18100	100	18	107.5	112.0	40.0	9

PRODUCT DATA

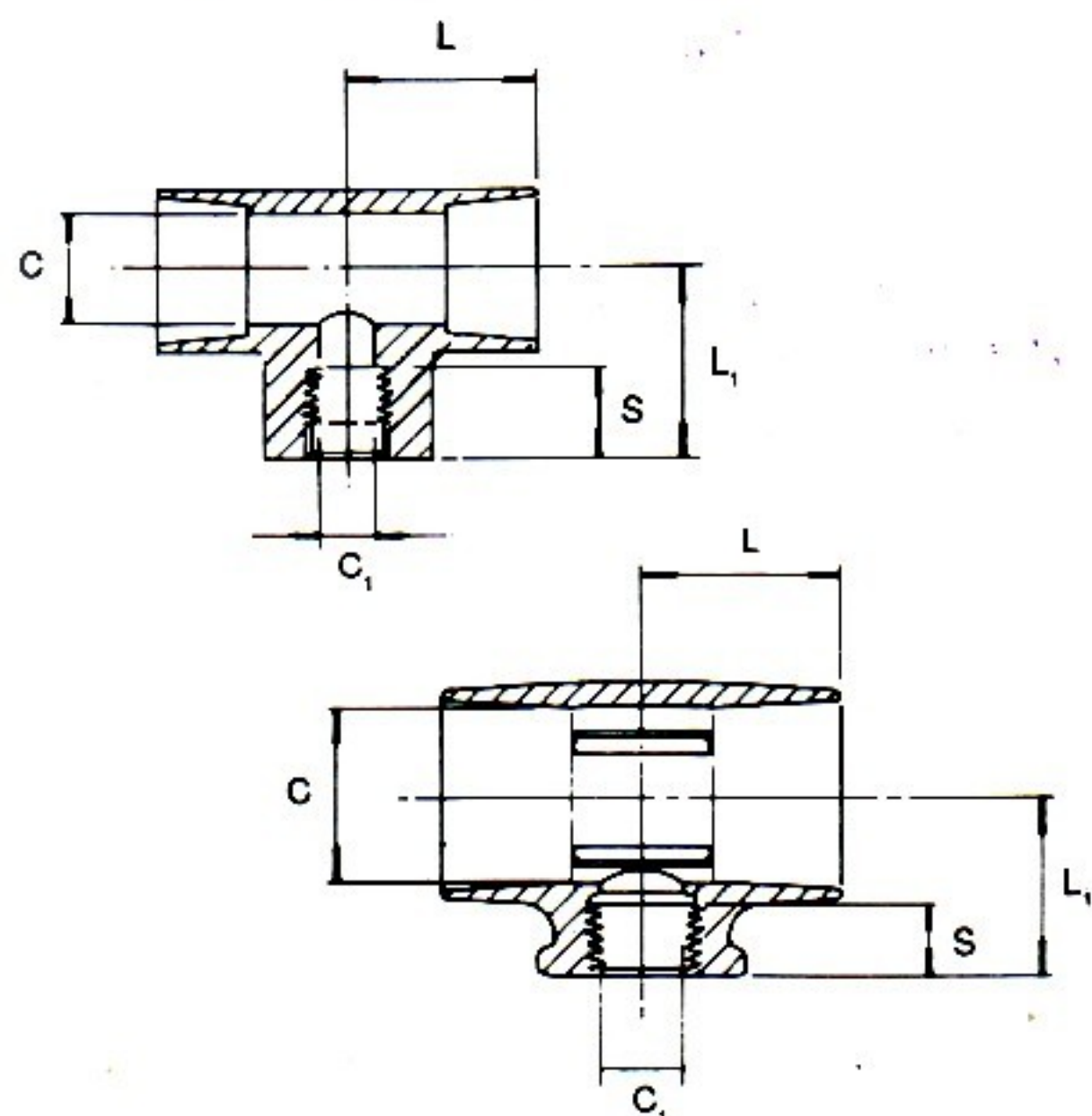
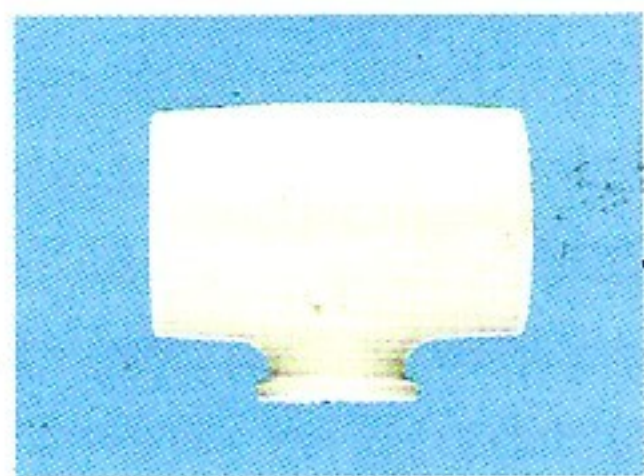
Cat 19 Tees



Tees provide a branch at 90° from a main line. Available in equal or reducing branches.

CODE	SIZE	PN	C	C1	L	L1	Ctn Qty
VPF1915	15	18	15.5	15.5	43.2	43.0	320
VPF192015	20 x 15	18	20.4	15.5	42.9	42.7	60
VPF1920	20	18	25.0	24.0	37.5	32.5	200
VPF192515	25 x 15	18	27.0	15.6	46.2	46.0	80
VPF192520	25 x 20	18	27.0	20.7	46.2	46.2	80
VPF1925	25	18	32.0	31.0	36.0	36.0	100
VPF193215	32 x 15	18	33.4	17.0	52.9	46.0	100
VPF193220	32 x 20	18	37.0	20.0	48.0	45.8	70
VPF193225	32 x 25	18	37.0	25.0	48.0	45.8	70
VPF1932	32	18	41.5	41.5	52.0	52.0	100
VPF194015	40 x 15	18	38.6	17.0	58.9	49.5	80
VPF194020	40 x 20	18	42.0	20.0	50.9	49.0	80
VPF194025	40 x 25	18	42.0	25.0	50.9	49.0	80
VPF194032	40 x 32	18	38.6	33.5	58.9	59.0	80
VPF1940	40	18	46.0	45.5	54.5	55.0	60
VPF195015	50 x 15	18	48.3	16.8	74.2	54.0	40
VPF195020	50 x 20	18	52.0	20.0	57.0	55.1	50
VPF195032	50 x 32	18	48.3	34.0	74.0	70.0	40
VPF195040	50 x 40	18	48.0	39.3	74.2	72.5	30
VPF1950	50	18	59.0	57.5	66.5	66.5	40
VPF196550	65 x 50	12	68.5	54.0	89.0	78.0	25
VPF1965	65	12	67.0	67.0	92.0	92.0	20
VPF198025	80 x 25	18	86.0	30.0	67.0	67.0	10
VPF198032	80 x 32	18	85.0	33.5	80.5	71.0	10
VPF198040	80 x 40	18	85.0	43.0	80.5	74.5	10
VPF198050	80 x 50	18	85.0	55.0	80.5	81.0	9
VPF1980	80	18	86.0	84.0	94.5	94.0	13
VPF1910025	100 x 25	12	107.0	27.0	94.5	93.5	12
VPF1910040	100 x 40	12	107.0	43.0	94.5	94.0	12
VPF1910050	100 x 50	12	107.0	56.5	94.5	94.0	12
VPF1910080	100 x 80	12	106.5	83.0	111.0	126.0	9
VPF19100	100	18	110.0	107.3	116.5	117.0	5
VPF19150100	150 x 100	12	143.0	102.0	150.5	131.0	3
VPF19150	150	12	143.0	143.0	173.0	173.0	2

Cat 21 Faucet Tees



Faucet tees are used mainly in irrigation pipelines. The female thread in the tee branch provides a connection for a threaded riser pipe.

CODE	SIZE	PN	C	C1	L	L1	S	Ctn Qty
VPF2115	15 x 15	18	15.5	15.5	43.2	43.0	24.5	100
VPF212015	20 x 15	18	24.0	15.5	27.2	30.5	17.1	120
VPF2120	20 x 20	18	20.5	20.5	43.0	42.4	23.0	60
VPF212515	25 x 15	18	20.5	15.5	43.0	42.4	17.3	100
VPF212520	25 x 20	18	26.8	21.0	46.2	46.2	23.0	100
VPF2125	25 x 25	18	27.0	27.0	46.2	45.5	24.0	80
VPF213215	32 x 15	18	33.5	15.5	52.5	36.0	16.0	60
VPF213220	32 x 20	18	37.0	20.0	48.0	45.0	19.7	60
VPF213225	32 x 25	18	37.0	26.0	48.0	45.0	22.8	60
VPF214015	40 x 15	18	39.0	15.5	58.5	38.0	16.0	80
VPF214020	40 x 20	18	42.0	20.0	51.0	49.0	19.7	80
VPF214025	40 x 25	18	42.0	26.0	50.9	49.0	22.8	50
VPF215020	50 x 20	18	52.0	20.0	57.0	55.1	19.7	50
VPF215025	50 x 25	18	52.0	26.0	57.0	55.1	22.8	50